



Technical Specifications

MOBOTIX MOVE 2MP Speed Dome Low Light Camera

The MOBOTIX MOVE 2MP Speed Dome Low Light Camera is equipped with the latest SONY Ultra Low-Light Sensor chip-set supporting light sensitivities of down to 0.02 lux in color mode. The camera features Servo Feedback Technology. When encountering external force, such as vandalism or vibration, the PTZ can return immediately to its original position. The dome is protected by MOBOTIX EverClear superhydrophilic nano coating for best image quality even in the rain; its self-cleaning capabilities reduce cleaning efforts and operational costs.

- EverClear coating of dome
- Servo Feedback – No Drifting
- WDR up to 130 dB
- Electronic Image Stabilizer (EIS)
- H.264/H.265/MJPEG Simultaneous Streaming
- High Low-Light performance, Color-Mode: 0.02 lux
- Dual power (PoE+/AC24 V)
- IP66 and Full IK10
- ONVIF Profile S/G/T/Q Support
- Temp. Range -55 to 55 °C/-41 to 131 °F with heater
- 3D Motion Compensated Noise Reduction (MCTF)
- Smart Event Functions
- Text Overlay and Privacy Masks
- Smart Low Bitrate Control
- Triple Stream Support
- RS485 Support
- Up to 30x Optical Zoom
- Auto-tracking



Technical Specifications

MOBOTIX 2MP Speed Dome Low Light Camera

Product Information

Product Name	2MP Speed Dome Low Light Camera
Order Code	Mx-SD1A-230-LL

Image Quality

Image Sensor	2MP 1/2.8" Progressive CMOS
--------------	-----------------------------

Effective (Used) Pixels	H x V = 1945 x 1097 (2MP)
-------------------------	---------------------------

Pixel Size	2.9 μm
------------	-------------------

Frame Rate (maximum)	WDR on: H.265/H.264: 2MP @30 fps @ 30fps MJPEG: 1080p @ 30fps WDR off: H.265/H.264: 2MP @30 fps @ 30fps MJPEG: 1080p @ 30fps
----------------------	---

Dome Coating	Superhydrophilic MOBOTIX EverClear nano coating transforms water droplets into an ultra-thin water film upon impact. The coating ensures best image quality in rain and difficult external conditions and it reduces reflections and noise in low-light scenarios. EverClear is dirt-repellent and increases the stability as well as the scratch-resistance of the , further reducing maintenance efforts. Coating endurance up to 3 years depending on environmental conditions and cleaning treatment.
--------------	---

Lens

Minimum Illumination	Color: 0,02 lux B/W: 0,001 lux
----------------------	-----------------------------------

Lens Characteristics	Motorized Lens: Zoom, Focus, P-IRIS, Auto-IRIS Focal Length: 4.3 to 129 mm Aperture: F1.6
----------------------	---

Camera

Day/Night	Automatic mechanically switchable IR-cut filter
Shutter Time	1 to 1/10K sec
Shutter Priority Mode	Up to 1/450 sec
WDR	up to 130 dB
EIS	Yes
Auto tracking	on / off
Zoom	Optical: 30x, Digital 10x
Image settings	Color, Brightness, Sharpness, Contrast White Balance, Exposure Control 2DNR, 3DNR, NR by Motion Masking, Text Overlay
Corridor Mode	90°, 180°, 270° Rotation

Video Codec

Compression/Encoding	H.265/H.264/MJPEG
Streaming	Up to 3 individually configurable streams in H.264/H.265/MJPEG Configurable resolution, frame rate, bandwidth LBR/ VBR/CBR in H.265/H.264

Network

Interface	10/100 Mbps Ethernet
Security	User Authentication/HTTPS/IP Filter/IEEE 802.1x
Supported Protocols	iARP, PPPoE, IPv4/v6, ICMP, IGMP, QoS, TCP, UDP, DHCP, UPnP, SNMP, SMTP, RTP, RTSP, HTTP, HTTPS, FTP, NTP, DDNS , SMBv2
ONVIF conformance	Supports profiles S/G/T
Supported Browsers	Microsoft Internet Explorer 10 or higher, Google Chrome, Mozilla Firefox, Apple Safari; Microsoft Internet Explorer with ActiveX is recommended for best performance and H.265 support

Technical Specifications

MOBOTIX 2MP Speed Dome Low Light Camera

System Integration

Base Video Analytics	Motion Detection
Event Triggers	<ul style="list-style-type: none">External InputAnalyticsNetwork failure detectionPeriodical eventManual trigger
Event Actions	<ul style="list-style-type: none">External output activationVideo recording to edge storageFile upload: FTP, network share and emailNotification: HTTP, FTP, email

General

Housing material	Metal and plastic
Power	PoE+ IEEE802.3at, class 4, max 23.11 W AC 24 V, max 24.20 W max 39.60 VA
Connectors	<ul style="list-style-type: none">RJ454 x Alarm in, 2x Alarm out Terminal BlockAC 24 V Terminal BlockRS485 Terminal Block
IR Illumination	850 nm; up to 40 m distance depending on scenery reflection
Video Storage	Support for microSD/microSDHC/microSDXC card, Support for recording to NAS, MOBOTIX MOVE NVR
Environmental Protection Class	IP66
Operating Temperature	-55 to 55 °C/-41 to 131 °F with activated heater
Relative Humidity	10 to 90 % non-condensing
Storage Conditions	-20 to 70 °C/-4 to 158 °F

Technical Specifications

MOBOTIX 2MP Speed Dome Low Light Camera

Approvals	EMC: CE/FCC, Safety: LVD, Environmental: IP66, IK10
-----------	---

Dimensions	ø 210 x 279 mm
------------	----------------

Weight	2900 g
--------	--------

PTZ Features

Preset positions	up to 256 1 Home position
------------------	------------------------------

Sequences	up to 8 sequences with 64 preset positions each
-----------	---

Cruise Path	up to 8
-------------	---------

Auto pan paths	up to 4
----------------	---------

Display Position	Pan/Tilt degrees can be displayed in live image
------------------	---

Tilt Angle	Between -20° and +100°
------------	------------------------

Pan Angle	360 ° endless
-----------	---------------

Tilt Speed	Manual Tilt Speed: 0.1°-60°/s; Preset Tilt Speed: 7°-300°/s
------------	--

Pan Speed	Preset up to 400°/s
-----------	---------------------

Joystick/Keypoint Control	RS485 protocols DSCP, Pelco-D and Pelco-P
---------------------------	---

Technical Specifications

MOBOTIX 2MP Speed Dome Low Light Camera

Accessories

Picture	Order Code	Description
	Mx-M-SD-C	Corner Mount for MOBOTIX MOVE SpeedDome models; installation only in combination with SpeedDome Wall Mount Mx-M-SD-W
	Mx-M-SD-GN	SD Parapet Mount (Gooseneck) with integrated junction box for MOBOTIX MOVE SpeedDome models
	Mx-M-SD-P	Pole Mount for MOBOTIX MOVE SpeedDome models
	Mx-M-SD-PM	Pendant Mount Kit 25 cm for MOBOTIX MOVE SpeedDome models
	Mx-M-SD-PMEXT	Pendant mount extension 25 cm for use with Pendant Mount Kit Mx-M-SD-PM
	Mx-M-SD-W	Wall Mount for MOBOTIX MOVE SpeedDome models; can be combined with SD Pole Mount Mx-M-SD-P or SD-Corner Mount Mx-M-SD-C
	Mx-M-SD-WM	Wall Mount with room for optional junction box Mx-M-SD-WMUB for MOBOTIX MOVE SpeedDome models
	Mx-M-SD-WMUB	Wall Mount Junction Box for MOBOTIX MOVE SpeedDome models
	Mx-NPA-UPOE1A-60W	UPoE Network Power Injector 60 W

Dimensions

NOTE! Download the drilling template from the section or on the MOBOTIX website: www.mobotix.com > Support > Download Center > Marketing & Documentation > Drilling Templates.

CAUTION! Always print or copy at 100% of the original size!

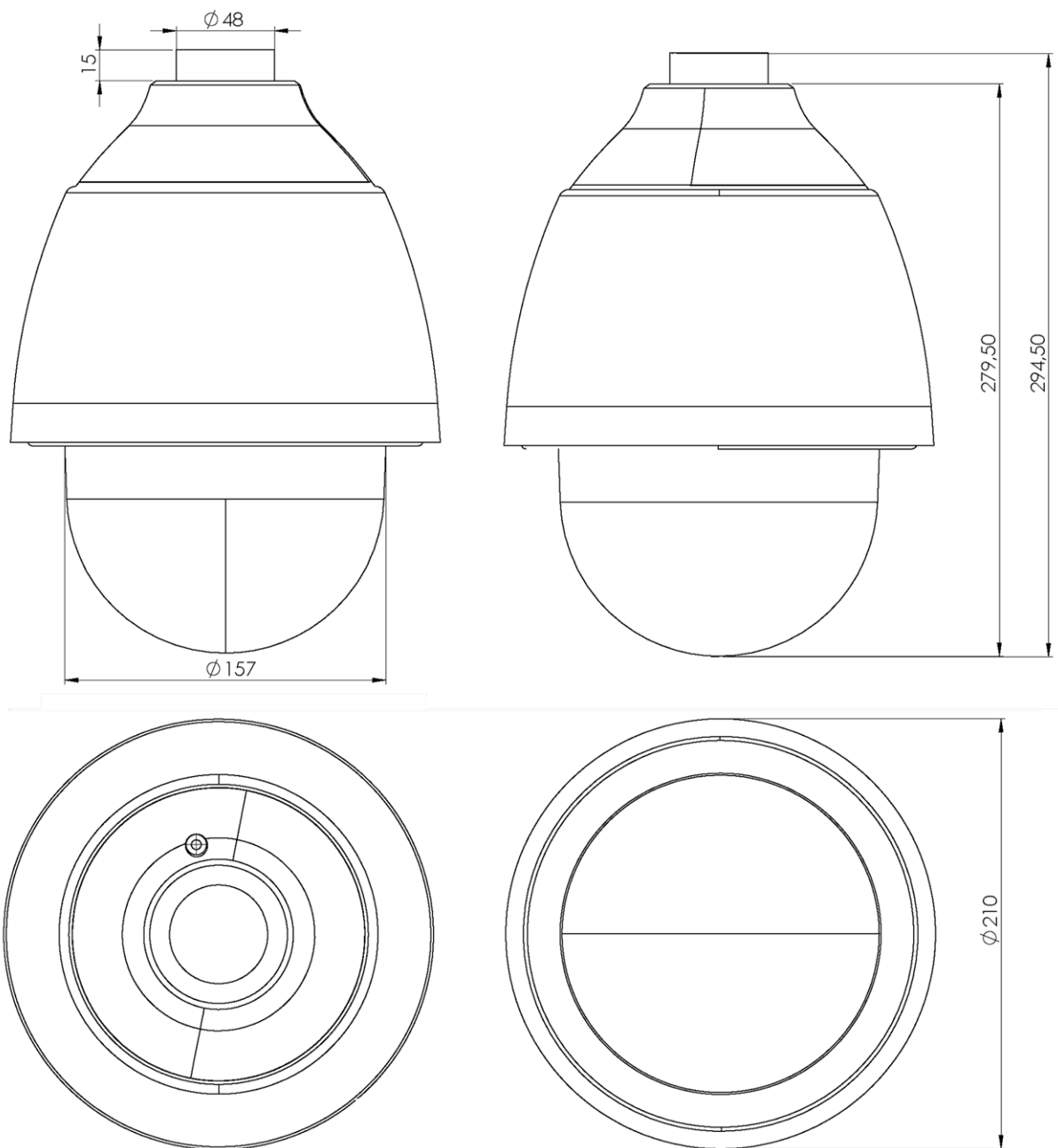


Fig. 1: 2MP Speed Dome Low Light Camera: All measurements in mm

MOBOTIX

BeyondHumanVision

[EN_12/21](#)

MOBOTIX AG • Kaiserstrasse • D-67722 Langmeil • Tel.: +49 6302 9816-103 • sales@mobotix.com • www.mobotix.com

MOBOTIX is a trademark of MOBOTIX AG registered in the European Union, the U.S.A., and in other countries. Subject to change without notice. MOBOTIX do not assume any liability for technical or editorial errors or omissions contained herein. All rights reserved. © MOBOTIX AG 2021